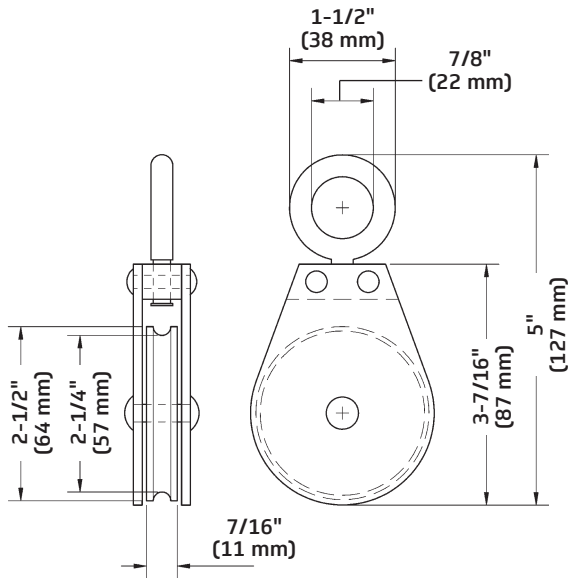


Swivel Eye Pulley

- Used in fire lines
- 2-1/4" (57 mm) sheave grooved for 1/8" (3 mm) wire rope
- Swivel eye with 7/8" (22 mm) diameter opening
- Three-year warranty against defects in materials or workmanship is provided on all J.R. Clancy equipment, additional warranty information is available at jrclancy.com

Dimensions



**Swivel Eye Pulley
099-SWEP**

Order Information

Number	Description	RWL	Weight
099-SWEP	Swivel Eye Pulley	250 lb (1.3 kg)	1 lb (0.45 kg)

RWL is based on an 8:1 safety factor.

RWL: RWL is maximum load that can be applied to the swivel eye pulley which is in "like new" condition and has been properly installed, maintained, and operated.

